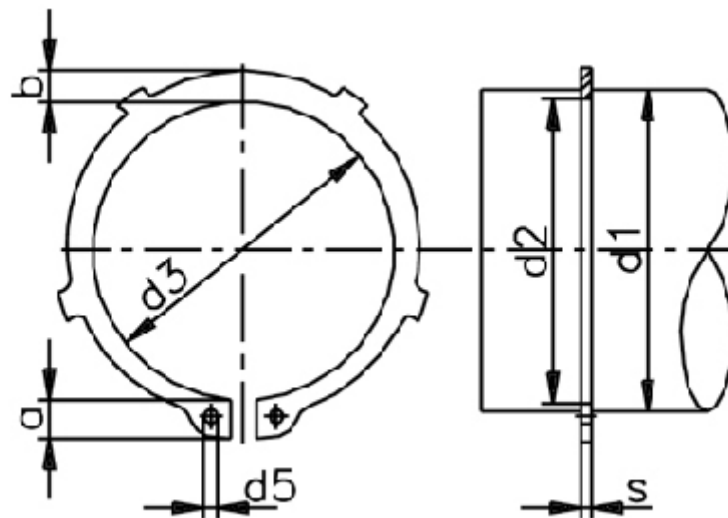


Article number: 0107037A

Description: Retaining ring AK 20 DIN 983

Measures



a max	= 3.8	FN kN	= 5.06	Number of serrations	= 6
AN mm ²	= 30.6	FRg kN	= 3.8	s	= 1.20
b	= 2.6	FR kN	= 17.1	t	= 0.50
d1	= 20	g	= 1.5	tol	= -0.15
d2	= 19.0	K kN-mm	= 36.3	tol	= -0.06
d3	= 18.5	m min	= 1.30	tol	= +0,13-0,42
d5 min	= 2.0	n abl x 1000	= 30	Tong	= ZGA-2
Description	= AK 20	Nominal drive	= 1.5	Weight kg/1000	= 1.45